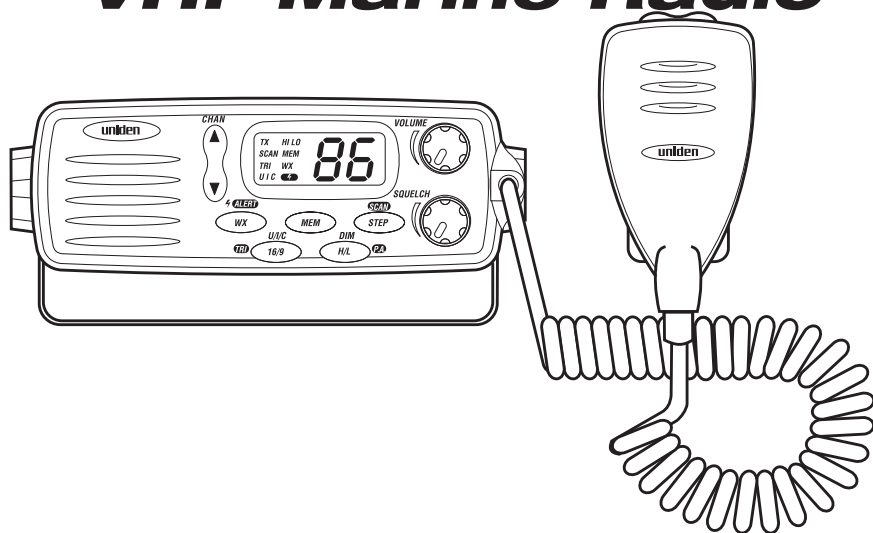


# uniden®

## **MC 1020** **VHF Marine Radio**



## **Operating Guide**

UTZZ01868ZZ

---

## Maritime Radio Services Operation

---

### Warning!

This transmitter will operate on channels/ frequencies that have restricted use in the United States. The channel assignments include frequencies assigned for exclusive use of the U.S. Coast Guard, use in Canada, and use in international waters. Operation in these frequencies without proper authorization is strictly forbidden. For frequencies/channels that are currently for use in the U.S. without an individual license, please contact the FCC Call Center at 1-888-CALL-FCC.

For individuals requiring a license, such as commercial users, you should obtain a license application from your nearest FCC field office.

---

# Contents

---

Uniden <b>MC 1020</b> . . . . .	1
Installation . . . . .	2
Choosing a Location . . . . .	2
Engine Noise Suppression . . . . .	3
Antenna Considerations . . . . .	3
Installing The <b>MC 1020</b> . . . . .	3
Controls and Indicators . . . . .	4
Front Panel . . . . .	4
Rear Panel Connectors . . . . .	5
Multi-Function Keys . . . . .	7
Operation . . . . .	9
Triple Watch . . . . .	9
Manual Tuning . . . . .	9
Instant Channel 16/Channel 9 Communications . . . . .	9
Weather Scan . . . . .	10
US/International/Canadian Channels . . . . .	10
MEM (Entering channel numbers into Memory Scan) . . . . .	10
Memory Scan . . . . .	11
Public Address . . . . .	11
Weather Alert . . . . .	11
Transmitting . . . . .	12
Dimming the LCD Display Backlight and the TX Indicator . . . . .	12
Optional Accessories . . . . .	13
VHF FM Marine RadioTelephone Channel and Functions (USA Channels) . . . . .	14
VHF FM Marine RadioTelephone Channel and Functions (International Channels) . . . . .	15
VHF FM Marine RadioTelephone Channel and Functions (Canadian Channels) . . . . .	16
Specifications . . . . .	17

---

## Uniden MC 1020

---

The **Uniden MC 1020** VHF marine radio transceiver has been designed to give you a rugged, reliable instrument that will provide you with years of trouble-free service.

With proper care and maintenance, your **Uniden MC 1020** will outlast your present vessel and serve you well on-board several more. The full features and flexibility designed into this quality transceiver will prevent it from becoming obsolete regardless of changes in craft or geographic locations.

The technical excellence of the **Uniden MC 1020** is demonstrated by the multiplicity of uses for which it has been found acceptable by the U.S. Federal Communications Commission. The **Uniden MC 1020** is acceptable for compulsory use on "party boats," for use on vessels subject to the Great Lakes Radio Agreement or bridge-to-bridge requirements, for general pleasure and commercial vessels, and certain land stations in marine service.

The **Uniden MC 1020** is of all solid state design with conservatively rated rugged components and materials compatible with the marine environment. The transceiver utilizes a number of gaskets, sealing rings, waterproof membranes, and other sealants to effect a splashproof housing for protection of the electronics. The unit may be mounted in any number of convenient locations on your vessel by utilizing the universal mounting bracket.

You are encouraged to thoroughly read the rest of this Operating Guide to acquaint yourself with the characteristics and operation of your transceiver so that you can contribute to the longevity of your investment.

Keep your receipt as proof-of-purchase in case warranty service is required.

*Features, Specifications, and availability of Optional Accessories are all subject to change without notice.*

---

## Installation

---

**Caution:** *The MC 1020 will operate only with nominal 12 volt negative ground battery systems.*

It is important to carefully determine the most suitable location for your **MC 1020** on your vessel. Electrical, mechanical, and environmental considerations must all be taken into account. You must select the optimum relationship among these considerations.

Keep in mind the flexibility designed into the **MC 1020** so that you can most conveniently use your radio. Features which should be considered are:

1. The universal mounting bracket may be installed on either the top or bottom of a shelf, on a bulkhead, or for overhead mounting.
2. The REMOTE speaker jack can be used with an auxiliary speaker.
3. All connections are “plug-in” type for easy removal of the radio.
4. Front fire internal speaker allows convenient in-dash mounting using the optional bracket.

### Choosing a Location

Some important factors to consider in selecting the location for your **MC 1020**:

1. Select a location that is free from spray and splash.
2. Keep the battery leads as short as possible. Direct connection to the battery is most desirable. If direct connection cannot be made with the supplied power lead, any extension should be made with #10 AWG wire. Long extensions should use larger gauge wire.
3. Keep the antenna lead as short as possible. Long antenna leads can cause substantial loss of performance for both receiving and transmitting.
4. Locate your antenna as high as possible and clear from metal objects. The reliable range of coverage is a direct function of antenna height.
5. Select a location that does not allow the radio to be subjected to direct sunlight (including that coming through windows).
6. Select a location that allows free air flow around the heat sink on the rear of the radio.
7. Select a location well away from the ship's compass. Auxiliary speakers also should be located away from the compass.

## Engine Noise Suppression

Interference from the impulse noise generated by the electrical systems of engines is sometimes a problem with radios. The **MC 1020** has been designed to be essentially impervious to ignition impulse noise and alternator noise. However, in some installations it may be necessary to take measures to further reduce the effect of noise interference. All DC battery wires, antenna lead, and accessory cables should be routed away from the engine and engine compartment, and from power cabling carrying particularly high currents.

In severe cases of impulse noise interference, it may be necessary to install a noise suppression kit. Contact your **Uniden** Dealer for more information.

## Antenna Considerations

A variety of antennas is available from a number of quality suppliers. It is recommended you draw upon the advice of your **Uniden** Dealer in determining a suitable antenna for your vessel and range requirements.

In general, communication range is increased by using a high-gain antenna placed as high as possible above the water line. Antennas should be located away from metal objects. Antennas should not have excessively long coaxial feed cables.

## Installing The MC 1020

After you have carefully considered the various factors affecting your choice of location, position the radio (with the bracket, microphone, power cord, antenna and any auxiliary cables installed) into the selected location to assure there is no interference with the surrounding items. Mark the location of the mounting bracket. Remove the bracket from the radio and use it as a template to mark the holes to be drilled for the mounting hardware. Drill the holes and mount the bracket with hardware compatible with the material of the mounting surface.

Connect the red wire of the supplied power cord to the positive (+) battery supply. Connect the black wire of the power cord to ground. The power cord is equipped with a fuse to protect the radio. Use only a Six (6) Ampere fast blow fuse for replacement. Connect the power cord to the keyed connector on the power "pigtail" (See page 9).

Connect the antenna and all other auxiliary cables and accessories.

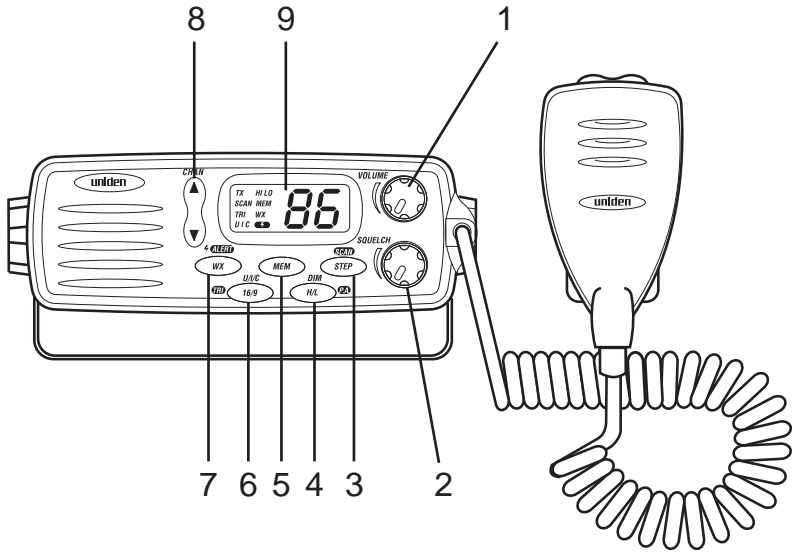
Install the radio in the mounting bracket and connect all cables and accessories to the appropriate jacks and connectors.

---

## Controls and Indicators

---

### Front Panel

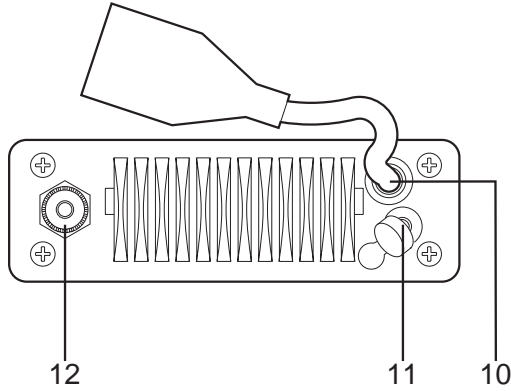


1. VOLUME (On/Off/Volume) - Turns the MC 1020 On or Off and varies the audio output.
2. SQUELCH - Eliminates background noise when no signal is being received.

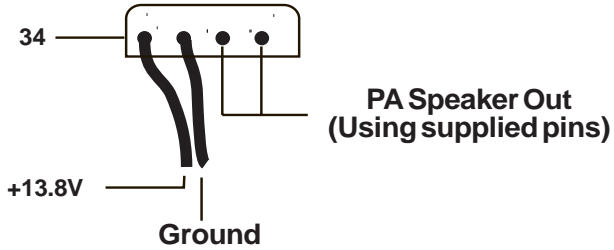
*Note: Items 3 through 7 are Multi-Function keys. Refer to the "Multi-Function Keys" section for detailed descriptions.*

3. STEP(also located on microphone)
4. H/L (Hi/Low)
5. MEM
6. 16/9 (Channel 16/Channel 9; also located on microphone)
7. WX (Weather)
8. CHAN - This control is used to manually select the desired Communication Channel (01 - 28 and 60 - 88), or Weather Channel (0 - 9).
9. LCD Panel - Indicators for TX, SCAN, TRI, U I C, HI, LO, MEM, WX, WX ALERT, and Channel Number.

## Rear Panel Connectors

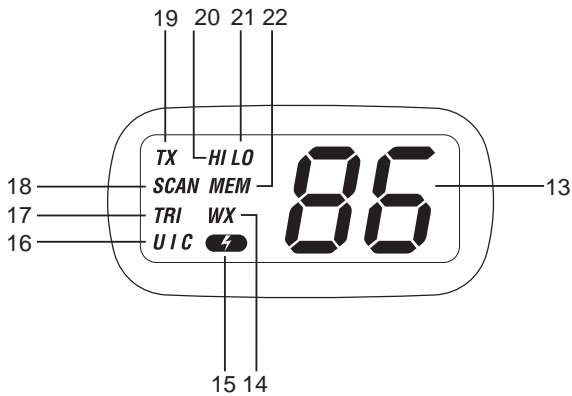


10. DC Power and PA Speaker Output - The "Pigtail" cord and connector are power in and PA Speaker out.
11. Remote Speaker Connector - An external 4 ohm, 4 Watt speaker may be connected to this jack. The connecting wire must have a miniature plug.
12. Antenna Connector - Connect the antenna here using a type PL259 connector.




Supplied Power Cord - Connect supplied power cord to the keyed connector.



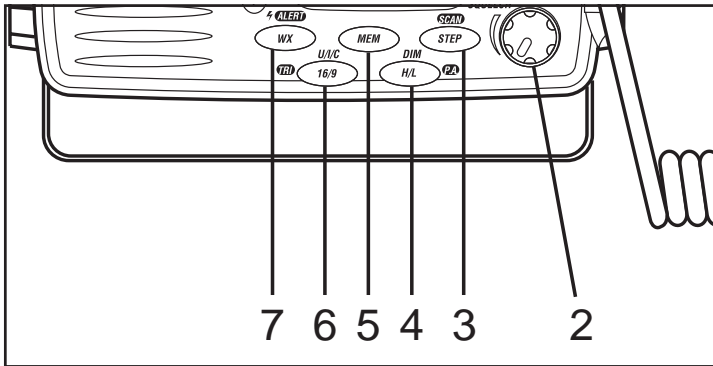


- 13.** LCD Numerical Channel Display - Indicates Channel Number in use. Weather Channels are displayed as single digits. (Example: 0, 1, 2, 3, etc.) Communication Channels are displayed as two digits (Example: 01, 02, 03, etc.).

*Note: LCD Status Indicators appear when status is selected by pressing the corresponding button.*

- 14.** WX - Indicates Weather Channel Mode has been activated. When pressed, remains active for eight (8) seconds.
- 15.**  (Weather Alert) - Indicates Weather Alert mode.
- 16.** U (US) - Indicates US Channel Mode.  
I (International) - Indicates International Channel Mode.  
C (Canada) - Indicates Canada Channel Mode.
- 17.** TRI (Triple Watch) - Indicates Triple Watch Mode is in effect.
- 18.** SCAN - Indicates Normal Scan Mode.
- 19.** TX (Transmit) - LED lights when transmitting.
- 20.** HI (High) - Indicates transmitted output is 25 Watts.
- 21.** LO (Low) - Indicates transmitted output is 1 Watt.
- 22.** MEM (Memory) - Indicates Memory Scan Mode status for each channel selected.

## Multi-Function Keys



3. STEP - This key is used to step through the channels entered in the Memory Scan Mode. When pressed and held, this key also starts and stops the SCAN Mode.
  - Press STEP to step to a desired channel.
  - Press and hold STEP to begin the Channel Scan Mode and initiate Triple Watch automatically.
4. H/L - This key is used to switch between HI (25 Watts) where allowed, or LO (1 Watt) output power. When pressed and held, this key activates the PA mode and, when used in conjunction with the MEM key, this key adjusts the brightness of the LCD Panel and the TX LED indicator.
  - Press H/L to switch between HI and LO output power.
  - Press and hold H/L to access the Public Address Mode.
  - Press and hold MEM, and then press H/L to adjust the brightness of the LCD Panel backlight and the brightness of the TX LED indicator.

The LCD Panel backlight and TX LED indicator are at their brightest level when the MC 1020 is shipped from the factory.

5. MEM - This key enters channels in the Memory Scan Mode. When used in conjunction with H/L, the LCD Panel lighting can be adjusted. When used in conjunction with the 16/9 key, the Channel Mode of Operation can be selected.
  - Press MEM to enter a selected channel in Memory Scan Mode.
  - Press and hold MEM, then press H/L to adjust the LCD Panel light intensity from a bright to a dim setting. Repeat this action to return to the bright intensity setting.
  - Press and hold MEM, and then press 16/9 to change the Channel Mode of Operation between US, International, or Canada.

6. 16/9 - This key is used to instantly access Channel 16 and Channel 9 communications. This key is also used to access Triple Watch, and when used in conjunction with MEM, this key lets you change between Channel Modes of Operation.
  - Press 16/9 to access instant Channel 16/Channel 9 communications.
  - Press and hold 16/9 to turn Triple Watch On/Off.
  - Press MEM, then press 16/9 to switch between US, International or Canada Channel Modes.
7. WX (Weather) - This key is used to switch between monitoring weather channels and communication channels. This key is also used to activate the Weather Alert Mode.
  - Press WX to switch between weather and communication channels.
  - Press and hold WX to turn the Weather Alert Mode On/Off.

---

## Operation

---

1. Turn the unit on by rotating the VOL control clockwise.
2. Adjust the SQUELCH control counterclockwise until you hear background noise, and then turn it clockwise until the noise just disappears.

### Triple Watch

Triple Watch monitors Channel 16 and Channel 9 for activity every two seconds while scanning or monitoring.

To activate Triple Watch, press and hold 16/9 until two short beeps occur. The **TRI** indicator appears on the LCD panel, indicating Triple Watch mode is in effect. If a signal is received on either Channel 16 or Channel 9, the radio remains on that channel until the signal ends



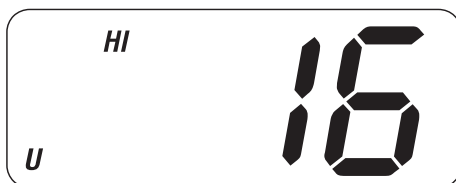
Press and hold 16/9 until the tone sounds to cancel Triple Watch Mode.

### Manual Tuning

To manually select a channel, press the CHAN selector buttons (up/down) to select the desired channel. Weather Channels are located on Channels 0 - 9. Communication Channels are located on Channels 01 - 28 and 60 - 88.

### Instant Channel 16/Channel 9 Communications

To access instant Channel 16 or Channel 9 communications, press 16/9. This overrides the channel selected with the CHAN selector buttons or any scanning activity. The Channel Display indicates the unit is on Channel 16. Press 16/9 again to access Channel 9 communications. Press and release 16/9 a third time to release the switch (Off). The transceiver will return to the channel selected prior to accessing instant Channel 16/Channel 9 communications. The Channel Display will indicate the selected channel.



To cancel Channel 16/Channel 9 communications:

- Press 16/9 until previous channel setting appears.
- or—
- Press WX.

## Weather Scan

To scan only Weather Channels 0 - 9, press WX, and then press and hold STEP. The **WX** indicator will appear on the LCD Panel, indicating Weather Mode.

To exit from Weather Scanning:

- Press and hold STEP to end scan.
  - Press 16/9 to change to Channel 16/Channel 9 communications
- or—
- Press WX to change to standard channel communications.

## US/International/Canadian Channels

To select operation (communication and scanning) on US Channels, press MEM, then press 16/9 while holding MEM. **U** (USA), **I** (International), or **C** (Canadian) will appear on the LCD Panel.

Select the appropriate mode for operation.

## MEM (Entering channel numbers into Memory Scan)

You can enter channels into Memory Scan for instant scanning at any time. When a channel is selected for Memory Scan, the **MEM** indicator will appear on the LCD display.

To enter a channel number into Memory Scan, select the channel number you want stored by pressing the CHAN Selector button up or down, and then press MEM.

*Note: In order for all functions of the MC 1020 to work properly, at least two channel numbers must be entered into Memory Scan before operating the radio.*

## Memory Scan

To scan channels stored in Memory Scan, press and hold STEP. In the Memory Scan Mode, the MC 1020 scans only those channel numbers previously entered into Memory Scan. If no channel has been entered into Memory Scan, the error tone sounds and the LCD Panel does not change.

*Note: While in SCAN, pressing the 16/9 button three times or pressing and holding STEP will return the radio to the channel it was on prior to accessing Memory Scan.*


## Public Address

To access the Public Address Mode, press and hold H/L. The *PA* icon will appear in the display. Press the Press-To-Talk switch on the microphone, hold the microphone approximately two inches from your mouth, and speak clearly in a normal voice. To cancel *PA*, press and hold H/L.



## Weather Alert

The Weather Alert Mode can be activated to alert you of dangerous weather. When Weather Alert is turned on, and a warning signal is received, a siren will sound at full volume, regardless of the VOL setting. When the signal stops, you will hear the active weather channel broadcast at normal volume.

The  icon indicates the Weather Alert Mode is activated. To activate the Weather Alert Mode:

1. Press WX to select Weather mode press and hold WX.
  2. Press and hold STEP to begin Weather Channel Scan.
- or—
1. Manually select the active Weather Channel after selecting WX.
  2. Press and hold WX to activate the Weather Alert Mode. To cancel the Weather Alert Mode, press and hold WX again.

## Transmitting

When the power is turned on, the transmitter is set for 25 Watts (except for USA Channels 13 and 67). The HI indicator will appear on the LCD Panel, indicating 25 Watt output power. In order to comply with FCC Regulations contained in 47 CFR 80.215 (g) (3), USA Channels 13 and 67 transmit at 1 Watt regardless of the H/L selector setting. However, 25 Watt output for emergency use is available by pressing H/L while pressing the Press-To-Talk switch. When the H/L switch is released, the radio returns to the 1 Watt position.

To switch to the LO (1 Watt) position, Press H/L. The LO indicator will appear on the LCD Panel, indicating 1 Watt output power. The LO position should always be used for in-port or short range communications.

Press H/L to switch to the HI (25 Watt) position. The HI indicator will appear on the LCD Panel, indicating 25 Watt output power.

To activate the transmitter, press the Press-To-Talk switch on the microphone. The **TX** LED indicator will light, indicating a signal is being transmitted. Release the switch to receive. When transmitting, hold the microphone approximately two inches from your mouth and speak clearly in a normal voice. The microphone provided with your radio is a 500 ohm dynamic type.

*Note: You cannot transmit on Weather Channels 0 - 9 or Channel 15. The Channel Number in the LCD Panel will blink to indicate these channels are "receive-only".*

## Dimming the LCD Display Backlight and the TX Indicator

When the MC 1020 is turned on, the LCD Panel and **TX** LED will be brightest. Pressing the MEM and H/L buttons will change the brightness.

The last setting will remain in memory. When you turn on the radio the next time, the display will be at this setting.

Note that the **TX** LED is not turned Off by the DIM button.

---

## **Optional Accessories**

---

- Flush mounting bracket for “in dash” installation.

Contact your Uniden Dealer for information.



# VHF FM Marine RadioTelephone Channel and Functions (USA Channels)

CHANNEL DESIG	FREQUENCY (MHz)		TYPE OF TRAFFIC	SHIP		PERMANENT SCAN LIST
	TRANSMIT	RECEIVE		TO SHIP	TO SHORE	
WX0	—	163.275	NOAA Weather	RX Only	RX Only	Weather
WX1	—	162.550	NOAA Weather	RX Only	RX Only	Weather
WX2	—	162.400	NOAA Weather	RX Only	RX Only	Weather
WX3	—	162.475	NOAA Weather	RX Only	RX Only	Weather
WX4	—	162.425	NOAA Weather	RX Only	RX Only	Weather
WX5	—	162.450	NOAA Weather	RX Only	RX Only	Weather
WX6	—	162.500	NOAA Weather	RX Only	RX Only	Weather
WX7	—	162.525	NOAA Weather	RX Only	RX Only	Weather
WX8	—	161.650	Can. Weather	RX Only	RX Only	Weather
WX9	—	161.775	Can. Weather	RX Only	RX Only	Weather
01	156.050	156.050	VTS	Yes	Yes	
02						
03	156.150	156.150	Port Ops	Yes	Yes	
05	156.250	156.250	VTS	Yes	Yes	
06	156.300	156.300	Safety	Yes	No	Coast Guard
07	156.350	156.350	Com'l	Yes	Yes	
08	156.400	156.400	Com'l	Yes	No	
09	156.450	156.450	Com'l & Non Com'l	Yes	Yes	Fish
10	156.500	156.500	Com'l	Yes	Yes	
11	156.550	156.550	Com'l	Yes	Yes	
12	156.600	156.600	Port Ops	Yes	Yes	
13	156.650	156.650	Navigation. TX 1W only	Yes	Yes	
14	156.700	156.700	Port Ops	Yes	Yes	
15	—	156.750	Environmental	RX Only	RX Only	Environmental
16	156.800	156.800	Safety Calling	Yes	Yes	
17	156.850	156.850	State Control	Yes	Yes	
18	156.900	156.900	Com'l	Yes	Yes	
19	156.950	156.950	Com'l	Yes	Yes	
20	157.000	161.600	Port Ops. RX Duplex	Yes	Yes	
21	157.050	157.050	Coast Guard	Yes	Yes	Coast Guard
22	157.100	157.100	Coast Guard	Yes	Yes	Coast Guard
23	157.150	157.150	Coast Guard	Yes	Yes	Coast Guard
24	157.200	161.800	Public Corresp. Duplex	No	Yes	Busv Tel.
25	157.250	161.850	Public Corresp. Duplex	No	Yes	Busv Tel.
26	157.300	161.900	Public Corresp. Duplex	No	Yes	Busv Tel.
27	157.350	161.950	Public Corresp. Duplex	No	Yes	Busv Tel.
28	157.400	162.000	Public Corresp. Duplex	No	Yes	Busv Tel.
60						
61	156.075	156.075				
63	156.175	156.175				
64	156.225	156.225				
65	156.275	156.275	Port Ops	Yes	Yes	
66	156.325	156.325	Port Ops	Yes	Yes	
67	156.375	156.375	Com'l. TX 1W only	Yes	No	
68	156.425	156.425	Non Com'l	Yes	Yes	Fish
69	156.475	156.475	Non Com'l	Yes	Yes	Fish
71	156.575	156.575	Non Com'l	Yes	Yes	Fish
72	156.625	156.625	Non Com'l	Yes	No	Fish
73	156.675	156.675	Port Ops	Yes	Yes	
74	156.725	156.725	Port Ops	Yes	Yes	
77	156.875	156.875	Port Ops	Yes	No	
78	156.925	156.925	Non Com'l	Yes	Yes	Fish
79	156.975	156.975	Com'l	Yes	Yes	
80	157.025	157.025	Com'l	Yes	Yes	
81	157.075	157.075	Coast Guard	Yes	Yes	Coast Guard
82	157.125	161.725	US Govt Only	Yes	Yes	
83	157.175	157.175	Coast Guard	Yes	Yes	Coast Guard
84	157.225	161.825	Public Corresp. Duplex	No	Yes	Busv Tel.
85	157.275	161.875	Public Corresp. Duplex	No	Yes	Busv Tel.
86	157.325	161.925	Public Corresp. Duplex	No	Yes	Busv Tel.
87	157.375	161.975	Public Corresp. Duplex	No	Yes	Busv Tel.
88	157.425	157.425	Com'l	Yes	No	

# VHF FM Marine RadioTelephone Channel and Functions (International Channels)

CHANNEL DESIG	FREQUENCY (MHz)		TYPE OF TRAFFIC	SHIP		PERMANENT SCAN LIST
	TRANSMIT	RECEIVE		TO SHIP	TO SHORE	
WX0	—	163.275	NOAA Weather	RX Only	RX Only	Weather
WX1	—	162.550	NOAA Weather	RX Only	RX Only	Weather
WX2	—	162.400	NOAA Weather	RX Only	RX Only	Weather
WX3	—	162.475	NOAA Weather	RX Only	RX Only	Weather
WX4	—	162.425	NOAA Weather	RX Only	RX Only	Weather
WX5	—	162.450	NOAA Weather	RX Only	RX Only	Weather
WX6	—	162.500	NOAA Weather	RX Only	RX Only	Weather
WX7	—	162.525	NOAA Weather	RX Only	RX Only	Weather
WX8	—	161.650	Can. Weather	RX Only	RX Only	Weather
WX9	—	161.775	Can. Weather	RX Only	RX Only	Weather
01	156.050	160.650	VTS.Duplex	Yes	Yes	
02	156.100	160.700	Port Ops.Duplex	Yes	Yes	
03	156.150	160.750	Port Ops.Duplex	Yes	Yes	
04	156.200	160.800	Port Ops.Duplex	Yes	Yes	
05	156.250	160.850	VTS.Duplex	Yes	Yes	
06	156.300	156.300	Safetv	Yes	No	
07	156.350	160.950	Com'.Duplexl	Yes	Yes	
08	156.400	156.400	Com'l	Yes	No	
09	156.450	156.450	Com'l & Non Com'l	Yes	Yes	Fish
10	156.500	156.500	Com'l	Yes	Yes	
11	156.550	156.550	Com'l	Yes	Yes	
12	156.600	156.600	Port Ops	Yes	Yes	
13	156.650	156.650	Navigational	Yes	Yes	
14	156.700	156.700	Port Ops	Yes	Yes	
15	156.750	156.750	Environmental	Yes	Yes	Environmental
16	156.800	156.800	Safetv Calling	Yes	Yes	
17	156.850	156.850	State Control	Yes	Yes	
18	156.900	161.500	Com'l.Duplex	Yes	Yes	
19	156.950	161.550	Com'l.Duplex	Yes	Yes	
20	157.000	161.600	Port Ops.Duplex	Yes	Yes	
21	157.050	161.650	Coast Guard.Duplex	Yes	Yes	
22	157.100	161.700	Coast Guard.Duplex	Yes	Yes	
23	157.150	161.750	Coast Guard.Duplex	Yes	Yes	
24	157.200	161.800	Public Correso.Duplex	No	Yes	Busv Tel.
25	157.250	161.850	Public Correso.Duplex	No	Yes	Busv Tel.
26	157.300	161.900	Public Correso.Duplex	No	Yes	Busv Tel.
27	157.350	161.950	Public Correso.Duplex	No	Yes	Busv Tel.
28	157.400	162.000	Public Correso.Duplex	No	Yes	Busv Tel.
60	156.025	160.625	Duplex			
61	156.075	160.675	Duplex			
62	156.125	160.725	Duplex			
63	156.175	160.775	Duplex			
64	156.225	160.825	Duplex			
65	156.275	160.875	Port Ops.Duplex	Yes	Yes	
66	156.325	160.925	Port Ops.Duplex	Yes	Yes	
67	156.375	156.375	Com'l	Yes	No	
68	156.425	156.425	Non Com'l	Yes	Yes	Fish
69	156.475	156.475	Non Com'l	Yes	Yes	Fish
71	156.575	156.575	Non Com'l	Yes	Yes	Fish
72	156.625	156.625	Non Com'l	Yes	No	Fish
73	156.675	156.675	Port Ops	Yes	Yes	
74	156.725	156.725	Port Ops	Yes	Yes	
77	156.875	156.875	Port Ops	Yes	No	
78	156.925	161.525	Non Com'l.Duplex	Yes	Yes	
79	156.975	161.575	Com'l.Duplex	Yes	Yes	
80	157.025	161.625	Com'l.Duplex	Yes	Yes	
81	157.075	161.675	Coast Guard.Duplex	Yes	Yes	Coast Guard
82	157.125	161.725	US Govt Onlv.Duplex	Yes	Yes	
83	157.175	161.775	Coast Guard.Duplex	Yes	Yes	Coast Guard
84	157.225	161.825	Public Correso.Duplex	No	Yes	Busv Tel.
85	157.275	161.875	Public Correso.Duplex	No	Yes	Busv Tel.
86	157.325	161.925	Public Correso.Duplex	No	Yes	Busv Tel.
87	157.375	161.975	Public Correso.Duplex	No	Yes	Busv Tel.
88	157.425	162.025	Com'l.Duplex	Yes	No	Busv Tel.

# VHF FM Marine RadioTelephone Channel and Functions (Canadian Channels)

CHANNEL DESIG	FREQUENCY (MHz)		TYPE OF TRAFFIC	SHIP TO SHIP	SHIP TO SHORE	PERMANENT SCAN LIST
	TRANSMIT	RECEIVE				
WX0	—	163.275	NOAA Weather	RX Onlv	RX Onlv	Weather
WX1	—	162.550	NOAA Weather	RX Onlv	RX Onlv	Weather
WX2	—	162.400	NOAA Weather	RX Onlv	RX Onlv	Weather
WX3	—	162.475	NOAA Weather	RX Onlv	RX Onlv	Weather
WX4	—	162.425	NOAA Weather	RX Onlv	RX Onlv	Weather
WX5	—	162.450	NOAA Weather	RX Onlv	RX Onlv	Weather
WX6	—	162.500	NOAA Weather	RX Onlv	RX Onlv	Weather
WX7	—	162.525	NOAA Weather	RX Onlv	RX Onlv	Weather
WX8	—	161.650	Can. Weather	RX Onlv	RX Onlv	Weather
WX9	—	161.775	Can. Weather	RX Onlv	RX Onlv	Weather
01	156.050	160.650	Duplex	Yes	Yes	
02	156.100	160.700	Duplex	Yes	Yes	
03	156.150	160.750	Duplex	Yes	Yes	
04	156.200	156.200		Yes	Yes	
05	156.250	156.250		Yes	Yes	
06	156.300	156.300		Yes	No	
07	156.350	156.350		Yes	Yes	
08	156.400	156.400		Yes	No	
09	156.450	156.450		Yes	Yes	Fish
10	156.500	156.500		Yes	Yes	
11	156.550	156.550		Yes	Yes	
12	156.600	156.600		Yes	Yes	
13	156.650	156.650	1W	Yes	Yes	
14	156.700	156.700		Yes	Yes	
15	156.750	156.750	1W	Yes	Yes	Environmental
16	156.800	156.800		Yes	Yes	
17	156.850	156.850	1W	Yes	Yes	
18	156.900	161.500		Yes	Yes	
19	156.950	161.550		Yes	Yes	
20	157.000	161.900	Duplex. 1W	Yes	Yes	
21	157.050	157.050		Yes	Yes	
22	157.100	157.100		Yes	Yes	
23	157.150	161.750	Duplex	Yes	Yes	
24	157.200	161.800	Duplex	No	Yes	Busv Tel.
25	157.250	161.850	Duplex	No	Yes	Busv Tel.
26	157.300	161.900	Duplex	No	Yes	Busv Tel.
27	157.350	161.950	Duplex	No	Yes	Busv Tel.
28	157.400	162.000	Duplex	No	Yes	Busv Tel.
60	156.025	160.625	Duplex			
61	156.075	156.075				
62	156.125	156.125				
63	156.175	156.175				
64	156.225	160.825	Duplex			
65	156.275	156.275		Yes	Yes	
66	156.325	156.325		Yes	Yes	
67	156.375	156.375		Yes	No	
68	156.425	156.425		Yes	Yes	Fish
69	156.475	156.475		Yes	Yes	Fish
71	156.575	156.575		Yes	Yes	Fish
72	156.625	156.625		Yes	No	Fish
73	156.675	156.675		Yes	Yes	
74	156.725	156.725		Yes	Yes	
77	156.875	156.875		Yes	No	
78	156.925	156.925		Yes	Yes	
79	156.975	156.975		Yes	Yes	
80	157.025	157.025		Yes	Yes	
81	157.075	157.075		Yes	Yes	Coast Guard
82	157.125	157.125		Yes	Yes	
83	157.175	157.175		Yes	Yes	Coast Guard
84	157.225	161.825	Duplex	No	Yes	Busv Tel.
85	157.275	161.875	Duplex	No	Yes	Busv Tel.
86	157.325	161.925	Duplex	No	Yes	Busv Tel.
87	157.375	161.975	Duplex	No	Yes	Busv Tel.
88	157.425	162.025	Duplex	Yes	No	Busv Tel.

---

# Specifications

---

## General

Channels	: Transmit 54 Receive 77 Marine/10 Weather
Controls	: On-Off/Volume, Squelch
Status Indicators	: TX LED (transmit), SCAN, TRI, U, I, C, HI, LO, MEM, WX, and WX alert symbol on LCD Panel
Channel Display	: LCD (Dual 7 segment)
Selector Switch	: Channel Selector switch
Buttons	: WX, 16/9, MEM, H/L, and STEP
Connectors	: Antenna, remote speaker, and DC power
Size	: 2 1/5"H x 6 2/5"W x 8"L
Weight	: 2.4 lbs
Supply Voltage	: 13.8V DC negative ground
Standard Accessories	: Mounting bracket and hardware, DC power cord, microphone hanger, spare fuse
Antenna Impedance	: 50 $\Omega$ nominal
Microphone	: Rugged 1k $\Omega$ condenser mic element with coiled cord
Speaker	: 1.82 inch, 8 $\Omega$
Operating Temperature Range	: - 20°C to +50°C (- 4°F to +122°F)
Shock and Vibration	: Meets or exceeds EIA standards, RS152B and RS204C
FCC Approvals	: Type accepted under part 80 of the Rules; meets Great Lakes Agreement and party boat requirements

## Transmitter

Power Output	: 1 watt or 25 watt (switch selectable)
Power Requirement	: Not rated on LO; 25 watts output: 4.5A@13.8V DC
Modulation	: FM $\pm$ 5 kHz deviation (FCC designator F3E)
Hum and Noise Signal-to-Noise	: 42 dB@300 HZ, 3kHz (nominal)
Audio Distortion	: Less than 3% with 3 kHz deviation with 1000 Hz modulating frequency (nominal)
Spurious Suppression	: - 56 dB @ 1 watt, - 65 dB @ 25 watts
Output Power Stabilization	: Built-in automatic level control (ALC)
Frequency Range	: 156 to 158 MHz
Frequency Stability:	: $\pm$ 1.58 kHz @ - 20°C to +50°C

## Receiver

Frequency Range	: 156 to 163 MHz
Sensitivity	: 0.25 $\mu$ V for 12 dB SINAD 0.35 $\mu$ V for 20 dB S/N
Circuit	: Dual Conversion Super Heterodyne PLL
Squelch Sensitivity	: 0.5 $\mu$ V Threshold
Spurious Response	: 60 dB
Adjacent Channel Selectivity	: 60 dB @ $\pm$ 25 kHz
Audio Output Power	: 3.0 watts (10% Distortion)
Power Requirement	: 230 mA @ 13.8V DC squelched 0.7A @ 13.8V DC at maximum audio output
IF Frequencies	: 1st - 16.9 MHz 2nd - 455 kHz

---

## Care and Maintenance

---

Your MC 1020 is a precision piece of electronic equipment and you should treat it accordingly. Due to the rugged design, very little maintenance is required. However, a few precautions should be observed:

- If your radio has been accidentally subjected to spray or splash, you should immediately wipe it down with a soft cloth dampened with fresh water.
- If the antenna has been damaged, you should not transmit except in case of emergency. A defective antenna may cause damage to your radio.
- You are responsible for the continued FCC technical compliance of your radio.
- You are urged to arrange for periodic performance checks with your Uniden Marine Dealer.

---

## Three Year Limited Warranty

---

**WARRANTOR:** UNIDEN AMERICA CORPORATION (Uniden)

**ELEMENTS OF WARRANTY:** Uniden warrants, for three years, to the original retail owner, this Uniden Product to be free from defects in materials and craftsmanship with only the limitations or exclusions set out below.

**WARRANTY DURATION:** This warranty to the original user shall terminate and be of no further effect 36 months after the date of original retail sale. The warranty is invalid if the Product is (A) damaged or not maintained as reasonable or necessary, (B) modified, altered, or used as part of any conversion kits, subassemblies, or any configurations not sold by Uniden, (C) improperly installed, (D) serviced or repaired by someone other than an authorized service center for a defect or malfunction covered by this warranty, (E) used in any conjunction with equipment or parts or as part of any system not manufactured by Uniden, or (F) installed or programmed by anyone other than as detailed by the Operating Guide for this product.

**STATEMENT OF REMEDY:** In the event that the product does not conform to this warranty at any time while this warranty is in effect, warrantor will repair the defect and return it to you without charge for parts, service, or any other cost (except shipping and handling) incurred by warrantor or its representatives in connection with the performance of this warranty. THE LIMITED WARRANTY SET FORTH ABOVE IS THE SOLE AND ENTIRE WARRANTY PERTAINING TO THE PRODUCT AND IS IN LIEU OF AND EXCLUDES ALL OTHER WARRANTIES OF ANY NATURE WHATSOEVER, WHETHER EXPRESS, IMPLIED OR ARISING BY OPERATION OF LAW, INCLUDING, BUT NOT LIMITED TO ANY IMPLIED WARRANTIES OF MERCHANTABILITY OR FITNESS FOR A PARTICULAR PURPOSE. THIS WARRANTY DOES NOT COVER OR PROVIDE FOR THE REIMBURSEMENT OR PAYMENT OF INCIDENTAL OR CONSEQUENTIAL DAMAGES. Some states do not allow this exclusion or limitation of incidental or consequential damages so the above limitation or exclusion may not apply to you.

**LEGAL REMEDIES:** This warranty gives you specific legal rights, and you may also have other rights which vary from state to state. This warranty is void outside the United States of America.

**PROCEDURE FOR OBTAINING PERFORMANCE OF WARRANTY:** If, after following the instructions in this Operating Guide you are certain that the Product is defective, pack the Product carefully (preferably in its original packaging). Include evidence of original purchase and a note describing the defect that has caused you to return it. The Product should be shipped freight prepaid by traceable means, or delivered, to warrantor at:

**Uniden America Corporation  
Parts and Service Division  
4700 Amon Carter Blvd.  
Ft. Worth, TX 76155  
(800)586-0409, 8 AM to 5 PM Central, Monday through Friday**

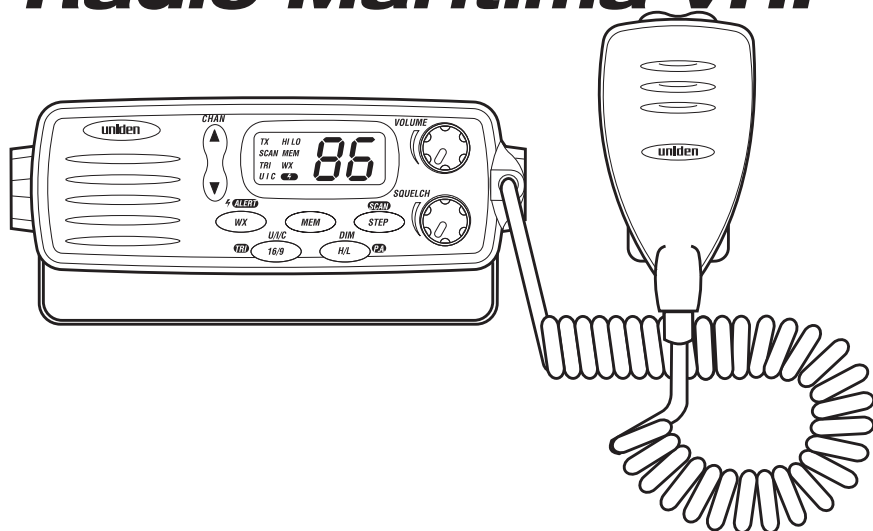
**uniden®**

© 1997, Uniden America Corporation. All Rights Reserved

Printed in the Philippines

# uniden®

## **MC 1020** **Radio Marítima VHF**



## **Manual** **de Instrucciones**

UTZZ01868ZZ



---

## Operación de los servicios de radio marítima

---

### ¡Advertencia!

Este transmisor funciona en canales y frecuencias que tengan uso restringido en los Estados Unidos. Las asignaciones de los canales incluyen frecuencias asignadas para uso exclusivo de los Guarda Costas de los Estados Unidos, para uso en Canadá y en aguas internacionales. El uso de estas frecuencias sin la debida autorización está terminantemente prohibido. Para frecuencias y canales que actualmente son para uso en los Estados Unidos sin una licencia individual, por favor llame al Centro de Llamadas de la FCC al 1-888-CALL-FCC (1-888-225-5322).

En el caso de personas que necesiten una licencia, como usuarios comerciales, se debe obtener una solicitud de licencia de la oficina de la FCC más cercana.

---

# Contenidos

---

Uniden <b>MC 1020</b> . . . . .	1
Instalación . . . . .	2
Selección de la ubicación. . . . .	2
Supresión del ruido del motor . . . . .	3
Selección de la antena. . . . .	3
Instalación del MC 1020. . . . .	3
Controles y indicadores . . . . .	4
Panel frontal. . . . .	4
Conectores del panel posterior . . . . .	5
Mandos de funciones múltiples . . . . .	7
Funcionamiento . . . . .	9
Vigilancia Triple . . . . .	9
Sintonización manual. . . . .	9
Comunicaciones instantáneas del Canal 16 y el Canal 9 . . . . .	9
Exploración meteorológica. . . . .	10
Canales de EE.UU./Internacionales/Canadá. . . . .	10
MEM (Introducción de números de canales en la Memoria de Exploración) 10	
Memoria de Exploración . . . . .	11
Megafonía . . . . .	11
Alerta Meteorológica . . . . .	11
Cómo transmitir . . . . .	12
Atenuación de la luz de fondo de la pantalla de cristal líquido y del indicador TX. . . . .	12
Accesorios opcionales . . . . .	13
La radio marítima VHF Canales y funciones (Canales de EE.UU). . . . .	14
La radio marítima VHF Canales y funciones (Canales Internacionales). . . . .	15
La radio marítima VHF Canales y funciones (Canales de Canadá) . . . . .	16
Especificaciones. . . . .	17

---

## Uniden MC 1020

---

La radio marítima VHF, transmisor-receptor, **Uniden MC 1020** ha sido diseñada para darle un instrumento resistente y fiable que le proporcionará años de servicio libre de problemas.

Con el cuidado y mantenimiento adecuado, su **Uniden MC 1020** durará más que su nave actual y le servirá bien a bordo de otras más. Las amplias características y la flexibilidad con las que está diseñado este transmisor-receptor de alta calidad evitarán que quede obsoleto independientemente de los cambios de nave o ubicaciones geográficas.

La excelencia técnica del **Uniden MC 1020** está demostrada por la gran variedad de usos para los que la Comisión Federal de Comunicaciones de los Estados Unidos (FCC) lo ha encontrado apto. El **Uniden MC 1020** es aceptable para uso obligatorio de "barcos de fiesta", para uso en barcos sujetos al Acuerdo de Radio de los Grandes Lagos o los requisitos de puente a puente, para barcos comerciales y de ocio en general, así como ciertas estaciones terrestres con servicio marítimo.

El **Uniden MC 1020** tiene un diseño completamente de estado sólido con componentes y materiales diseñados para ser más resistentes de lo necesario y compatibles con el entorno marítimo. El transmisor-receptor utiliza empacaduras, anillos obturadores, membranas herméticas y otros selladores para crear un armazón a prueba de salpicaduras y para proteger los componentes electrónicos. La unidad se puede montar en varias ubicaciones convenientes de su barco utilizando el soporte universal de montaje.

Se le recomienda que lea el resto del manual de instrucciones detenidamente para familiarizarse con las características y el funcionamiento de su transmisor-receptor y contribuir así a la naturaleza duradera del aparato.

Guarde el recibo como prueba de compra en caso de necesitar servicio de garantía.

*Las características, especificaciones y disponibilidad de los accesorios opcionales están sujetas a cambio sin previo aviso.*

---

# Instalación

---

**Precaución:** El MC 1020 funciona solamente con sistemas de batería de conexión a tierra negativa de 12 voltios nominales.

Es importante determinar cuidadosamente la ubicación más apta del MC 1020 en su barco. Deben tenerse en cuenta consideraciones eléctricas, mecánicas y medioambientales. Debe seleccionar la mejor ubicación en todos los aspectos.

Tenga en cuenta la flexibilidad con la que está diseñado el MC 1020 para poder usar su radio de la manera más conveniente. Las características a tener en cuenta son:

1. El soporte universal de montaje puede instalarse en la parte superior o inferior de un estante, en una mampara o en el techo.
2. El conector de altavoz REMOTO puede usarse con un altavoz auxiliar.
3. Todas las conexiones son del tipo que se enchufa y desenchufa para poder sacar la radio fácilmente.
4. El altavoz interno frontal permite el montaje conveniente en el tablero de instrumentos utilizando el soporte opcional.

## Selección de la ubicación

Hay varios factores importantes a considerar al seleccionar la ubicación de su MC 1020:

1. Seleccione una ubicación libre de rociaduras y salpicaduras.
2. Mantenga los cables de la batería lo más cortos posible. Es preferible la conexión directa a la batería. Si no se puede hacer la conexión directa con el cable de alimentación suministrado, toda extensión debe hacerse con un cable AWG no. 10. Para extensiones más largas, se debe utilizar un alambre de mayor grosor.
3. Mantenga el cable de la antena lo más corto posible. Un cable largo de antena puede hacer que se pierda bastante rendimiento, tanto al recibir como al transmitir.
4. Coloque la antena en un lugar lo más alto posible y alejado de objetos de metal. El alcance está en función directa de la altura de la antena.
5. Seleccione un lugar que no permita que la radio esté expuesta a la luz directa del sol (inclusive la que entre a través de ventanas).
6. Seleccione un lugar que permita el flujo del aire alrededor del disipador térmico en la parte trasera de la radio.
7. Seleccione un lugar bien alejado de la brújula del barco. Los altavoces auxiliares deben ubicarse también alejados de la brújula.

## **Supresión del ruido del motor**

La interferencia del ruido de impulso generado por los sistemas eléctricos de los motores a veces es un problema para las radios. El MC 1020 ha sido diseñado para quedar esencialmente aislado al ruido de impulso del encendido y al ruido del alternador. No obstante, en algunas instalaciones, es posible que sea necesario tomar medidas para reducir todavía más el efecto de la interferencia del ruido. Todos los cables de CC de la batería, el cable de la antena y los cables accesorios deben estar alejados del motor y del compartimento del motor, así como de cables de alta corriente.

En casos extremos de interferencia de ruido de impulso, es posible que sea necesario instalar un dispositivo de supresión de ruido. Comuníquese con su distribuidor de Uniden para obtener más información.

## **Selección de la antena**

Hay un número de antenas disponibles de varios proveedores de calidad. Se sugiere seguir la recomendación de su distribuidor de Uniden para escoger una antena apta para su barco y sus necesidades de alcance.

En general, el alcance de comunicación aumenta utilizando una antena de alta ganancia, colocada lo más alto posible sobre el nivel del agua. Las antenas deben colocarse alejadas de objetos de metal y no deben tener cables de alimentación coaxiales excesivamente largos.

## **Instalación del MC 1020**

Una vez que haya analizado cuidadosamente los diferentes factores que afectan su ubicación, coloque la radio (con el soporte, micrófono, cable de alimentación, antena y los cables auxiliares instalados) en el lugar seleccionado para asegurarse de que no hay interferencia de los objetos de alrededor. Marque la ubicación del soporte de montaje. Quite el soporte de la radio y úselo como plantilla para marcar los agujeros que va a taladrar para los materiales de montaje. Taladre los agujeros y monte el soporte con materiales compatibles con el material de la superficie de montaje.

Conecte el alambre rojo del cable de alimentación incluido con la radio al suministro positivo (+) de la batería. Conecte el alambre negro del cable de alimentación a la conexión a tierra. El cable de alimentación está equipado con un fusible para proteger la radio. Use solamente un fusible de fundición rápida de seis (6) amperios como repuesto. Conecte el cable de alimentación al conector flexible compatible.

Conecte la antena y todos los demás cables y accesorios auxiliares.

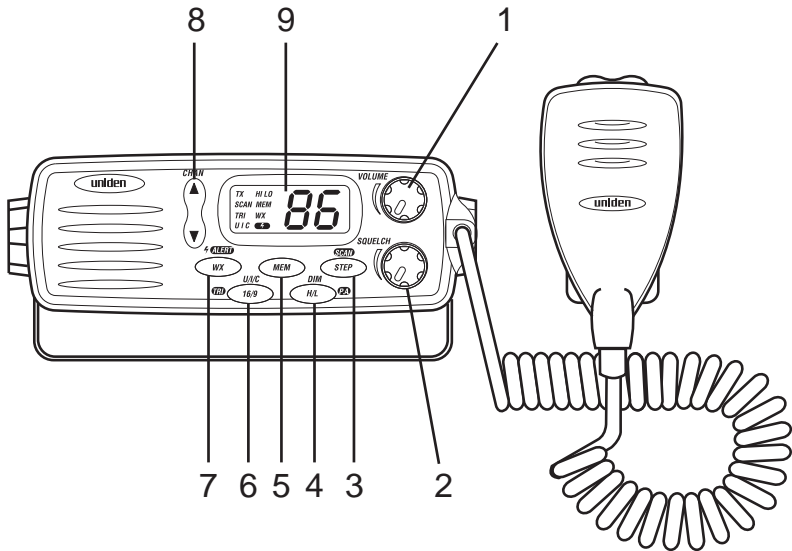
Instale la radio en el soporte de montaje y conecte todos los cables y accesorios en los enchufes y conectores correspondientes

---

## Controles y indicadores

---

### Panel frontal

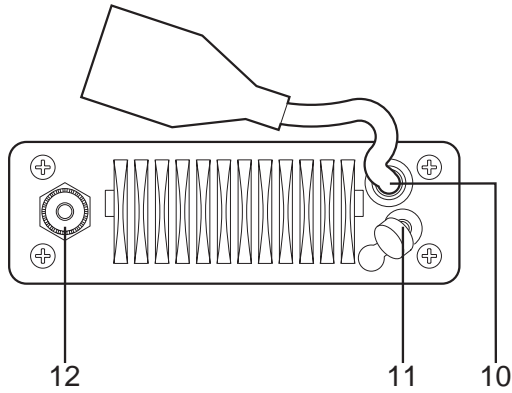


1. VOLUME (Encendido/Apagado/Volumen) - Enciende y apaga el MC 1020 y cambia el nivel del sonido.
2. SQUELCH (Silenciador) - Elimina el ruido de fondo cuando no se está recibiendo ninguna señal.

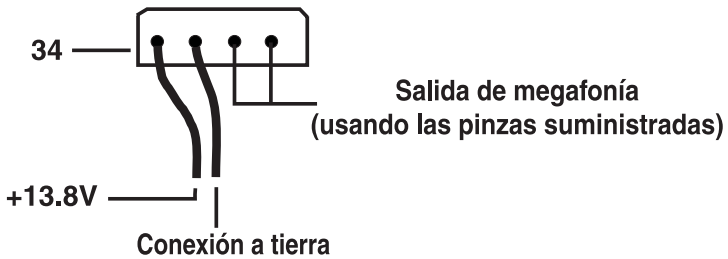
*Nota: Los puntos 3 al 7 (inclusive) son mandos de funciones múltiples. Consulte la sección "Mandos de funciones múltiples" para ver una descripción detallada.*

3. STEP (también se encuentra en el micrófono)
4. H/L (Alta/Baja)
5. MEM
6. 16/9 (Canal 16/Canal 9; también se encuentra en el micrófono)
7. WX (Tiempo meteorológico)
8. CHAN - Este control se utiliza para seleccionar manualmente el canal de comunicación deseado (01 - 28 y 60 - 68), o el canal meteorológico (0 - 9).
9. Panel LCD (Pantalla de cristal líquido) - Indicadores de TX, SCAN, TRI, U I C, HI, LO, MEM, WX, WX ALERT, y número de canal.

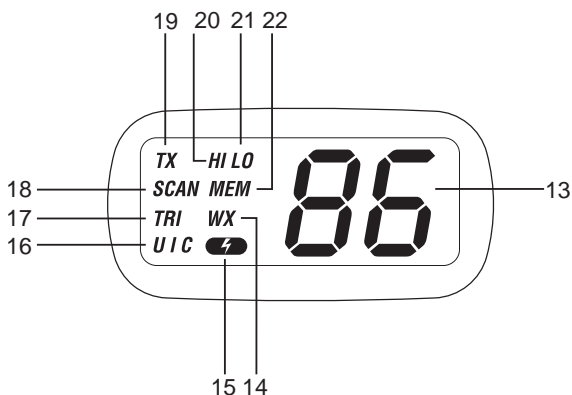
## Conectores del panel posterior



10. Alimentación de DC y salida del altavoz PA (Megafonía) - El cable flexible con el conector es para entrada de corriente y salida de megafonía.
11. Conector de altavoz remoto - Se puede conectar un altavoz externo de 4 ohmios y 4 vatios a este enchufe. El cable de conexión debe tener un enchufe miniatura.
12. Conector de antena - Conecte aquí la antena usando un conector del tipo PL259.




Cable de alimentación suministrado - Conecte el cable de alimentación suministrado al conector marcado.



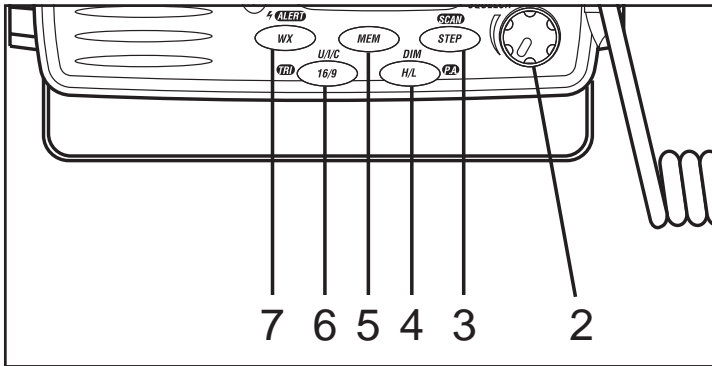
13. LCD que indica el número de canal - Indica el número de canal en uso. Los canales meteorológicos aparecen con un solo dígito. (Ejemplo: 0, 1, 2, 3, etc.). Los canales de comunicación aparecen indicados con dos dígitos. (Ejemplo: 01, 02, 03, etc.).

*Nota: Los indicadores del estado de la pantalla aparecen cuando se selecciona el estado oprimiendo el botón correspondiente.*

14. WX - Indica que el Modo de Canal Meteorológico se ha activado. Al oprimirlo, sigue activo durante ocho (8) segundos.
15.  (Alerta Meteorológica) - Indica el Modo de Alerta Meteorológica.
16. U (USA) - Indica Modo de Canales de EE.UU.  
 I (Internacional) - - Indica el Modo de Canales Internacionales.  
 C (Canadá) - Indica el Modo de Canales de Canadá.
17. TRI (Vigilancia Triple) - Indica que está puesto el Modo de Vigilancia Triple.
18. SCAN - Indica el Modo de Exploración Normal.
19. TX (Transmitir) - El LED se enciende cuando se está transmitiendo.
20. HI (Alta) - Indica una salida de transmisión de 25 vatios.
21. LO (Baja) - Indica una salida de transmisión de 1 vatio.
22. MEM (Memoria) - Indica el estado de Modo de Memoria de Exploración para cada canal seleccionado.



## Mandos de funciones múltiples



3. **STEP** - Este botón se usa para pasar por los canales introducidos en el Modo de Memoria de Exploración. Al pulsarlo y mantenerlo pulsado, este botón también inicia y detiene el Modo SCAN.
  - Oprima STEP para pasar al canal deseado.
  - Oprima el botón STEP y manténgalo oprimido para empezar el Modo de Exploración de Canal e iniciar la Vigilancia Triple automáticamente.
4. **H/L** - Este botón se usa para cambiar entre potencia de salida HI (Alta) (25 vatios), cuando esté permitido, y LO (Baja) (1 vatio). Al oprimirlo y mantenerlo oprimido, este botón activa el Modo de Megafonía y, al usarlo junto con el botón MEM, este botón ajusta el brillo de Panel LCD y el indicador LED TX.
  - Oprima H/L para cambiar entre potencia de salida HI (Alta) y LO (Baja).
  - Oprima y mantenga oprimido el botón H/L para acceder al Modo de Megafonía.
  - Oprima y mantenga el botón MEM, y luego oprima H/L para ajustar el brillo de la luz de fondo de Panel LCD y del indicador LED TX. La luz de fondo de Panel LCD y el indicador LED TX se envían de fábrica en el nivel de mayor brillo.
5. **MEM** - Este botón introduce los canales en el Modo de Memoria de Exploración. Al usarse junto con el botón H/L, se puede ajustar la luz de la pantalla de cristal líquido. Cuando se usa junto con el botón 16/9, se selecciona el Modo de Operación de Canales.
  - Oprima MEM para introducir un canal seleccionado en el Modo de Memoria de Exploración.
  - Oprima y mantenga oprimido MEM, luego oprima H/L para ajustar la intensidad de la luz de la pantalla de cristal líquido de fuerte a tenue. Repita esta operación para volver a la configuración previa de la intensidad del brillo.
  - Oprima y mantenga oprimido el botón MEM, y luego pulse 16/9 para cambiar el Modo de Operación de Canales entre EE.UU., Internacional y Canadá.

6. 16/9 - Este botón se usa para acceder instantáneamente a las comunicaciones del Canal 16 y el Canal 9. Este botón también se usa para acceder al Modo de Vigilancia Triple y, cuando se usa junto con el botón MEM, este botón le permite cambiar entre los Modos de Operación de Canales.
- Oprima 16/9 para acceder instantáneamente a las comunicaciones de Canal 16/Canal 9.
  - Oprima y mantenga oprimido 16/9 para encender y apagar el Modo de Vigilancia Triple.
  - Oprima MEM, y luego oprima 16/9 para cambiar entre los Modos de Operación de Canales EE.UU., Internacional y Canadá.
7. WX (Weather) - (Tiempo Meteorológico) - Este botón se usa para cambiar entre los canales meteorológicos y los canales de comunicación. Este botón se usa también para activar el Modo de Alerta Meteorológica.
- Oprima WXra cambiar entre los canales meteorológicos y los de comunicaciones.
  - Oprima y mantenga oprimido el botón WX para encender o apagar el Modo de Alerta Meteorológica.

---

## Funcionamiento

---

1. Encienda la unidad girando el control VOL en el sentido de las manecillas del reloj.
2. Ajuste el control SQUELCH en sentido contrario a las manecillas del reloj hasta que escuche ruido de fondo, y luego gírelo en el sentido de las manecillas del reloj justo hasta que desaparezca el ruido.

### Vigilancia Triple

La Vigilancia Triple sintoniza el Canal 16 y el Canal 9 cada dos segundos para ver si hay actividad mientras está explorando o sintonizando otros canales.

Para activar la Vigilancia Triple, oprima y mantenga oprimido el botón 16/9 hasta que oiga dos bips cortos. Aparecerá el indicador **TRI** en la pantalla, indicando que el Modo de Vigilancia Triple está activado. Si se recibe una señal en el Canal 16 o en el Canal 9, la radio se mantiene en ese canal hasta que termine la señal.



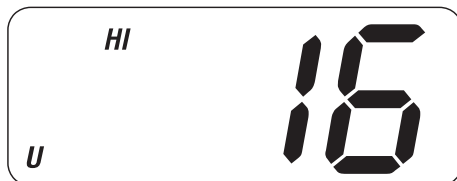
Oprima y mantenga oprimido 16/9 hasta que suene el tono para cancelar el Modo de Vigilancia Triple.

### Sintonización manual

Para seleccionar un canal manualmente, oprima los botones selectores de canales (CHAN) (arriba/abajo) para seleccionar el canal deseado. Los canales meteorológicos son los canales del 0 al 9. Los canales de comunicaciones son los canales del 01 al 28 y del 60 al 88.

### Comunicaciones instantáneas del Canal 16 y el Canal 9

Para acceder instantáneamente a comunicaciones del Canal 16 o el Canal 9, oprima 16/9. Esto anula el canal seleccionado con los botones selectores de canal (CHAN) o cualquier actividad de exploración. La pantalla de canales indica que la unidad está en el Canal 16. Oprimiendo 16/9 otra vez se accede a las comunicaciones del Canal 9. Oprima el botón 16/9 y suéltelo una tercera vez para desactivarlo (Off). El transmisor-receptor regresará al canal seleccionado antes de acceder a las comunicaciones instantáneas del Canal 16 y el Canal 9. El indicador de canal mostrará en la pantalla el número del canal seleccionado.



Para cancelar las comunicaciones del Canal 16 y el Canal 9:

- Oprima el botón 16/9 hasta que aparezca la configuración del canal anterior.



- Oprima WX.

## Exploración meteorológica

Para explorar solamente los Canales Meteorológicos 0 al 9, oprima WX, y luego mantenga oprimido STEP. El indicador **WX** aparecerá en LCD Panel, indicando que el Modo Meteorológico está activado.

Para salir de la Exploración Meteorológica:

- Oprima y mantenga oprimido el botón STEP para finalizar la exploración.
- Oprima 16/9 para cambiar a las comunicaciones del Canal 16 y el Canal 9.



- Oprima WX para cambiar a las comunicaciones de canales estándares.

## Canales de EE.UU./Internacionales/Canadá

Para seleccionar operación (comunicación y exploración) de canales de EE.UU., oprima MEM, luego oprima 16/9 mientras mantiene oprimido MEM. Aparecerá U (EE.UU.), I (Internacional), o C (Canadá) en la pantalla.

Seleccione el modo de operación apropiado.

## MEM (Introducción de números de canales en la Memoria de Exploración)

Puede introducir canales en la Memoria de Exploración para una hacer una exploración instantánea en cualquier momento. Cuando se selecciona un canal para la Exploración de la Memoria, el indicador **MEM** aparecerá en la pantalla.

Para introducir un número de canal en la Memoria de Exploración, seleccione el número de canal que desee guardar oprimiendo el botón selector de canal (CHAN) hacia arriba o hacia abajo, y luego oprima MEM.

*Nota: Para que todas las funciones del MC 1020 funcionen adecuadamente, debe haber un mínimo de dos números de canales introducidos en la Memoria de Exploración antes de utilizar la radio.*

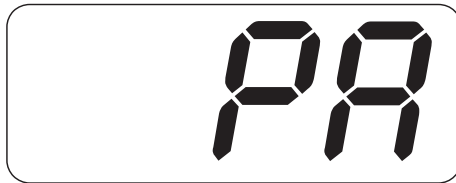
## Memoria de Exploración

Para explorar canales guardados en la Memoria de Exploración, oprima y mantenga oprimido STEP. En el Modo de Memoria de Exploración, el MC 1020 explora solamente aquellos números de canales introducidos previamente en la Memoria de Exploración. Si no hay ningún canal introducido en la Memoria de Exploración, suena un tono de error y la pantalla no cambia.

*Nota: Mientras esté en el modo SCAN, oprima el botón 16/9 tres veces o oprima y mantenga oprimido el botón STEP para regresar al canal en el que estaba antes de acceder a la Memoria de Exploración.*

## Megafonía

Para acceder al Modo de Megafonía, oprima y mantenga oprimido H/L. Aparecerá **PA** en la pantalla. Oprima el botón Press-To-Talk del micrófono, sostenga el micrófono a aproximadamente dos pulgadas de la boca y hable claramente en voz normal. Para cancelar **PA**, oprima H/L unos segundos.




## Alerta Meteorológica

El Modo de Alerta Meteorológica puede activarse para alertarlo de tiempo peligroso. Cuando la Alerta Meteorológica está activada y se recibe una señal de advertencia, sonará una sirena a todo volumen, independientemente de la configuración VOL. Cuando la señal pare, oirá la emisión del canal meteorológico activo a volumen normal.

Para activar el Modo de Alerta Meteorológica:

1. Oprima WX para seleccionar el Modo Meteorológico y manténgalo oprimido.
2. Oprima y mantenga oprimido STEP para empezar la Exploración de Canales Meteorológicos.

—o—

1. Seleccione manualmente el Canal Meteorológico activo después de seleccionar WX.
2. Press and hold WX to activate the Weather Alert Mode. El  icono indica que el Modo de Alerta Meteorológica está activado.

Para cancelar el Modo de Alerta Meteorológica, oprima y mantenga oprimido WX otra vez.

## Cómo transmitir

Al encender el aparato, el transmisor está configurado a 25 vatios (excepto para los Canales 13 y 67 de EE.UU.). El indicador HI (Alta) aparecerá en la pantalla de cristal líquido, indicando una potencia de salida de 25 vatios. Para cumplir con los reglamentos de la FCC contenidos en 47 CFR 80.215 (g) (3), los Canales 13 y 67 de EE.UU. transmiten a 1 vatio, independientemente de la configuración del selector H/L (Alta/Baja). No obstante, dispone de salida de 25 vatios para caso de emergencia y se obtiene oprimiendo H/L a la vez que se oprime el botón "Press to talk" ("Oprimir para hablar"). Cuando se suelta el botón H/L, la radio regresa a la posición de 1 vatio.

Para cambiar a la posición LO (Baja) (1 vatio), oprima H/L. El indicador LO aparecerá en la pantalla, indicando una potencia de salida de 1 vatio. La posición LO debe usarse siempre para comunicaciones dentro del puerto o de corto alcance.

Para cambiar a la posición HI (Alta) (25 vatios), oprima H/L. El indicador HI aparecerá en la pantalla de cristal líquido, indicando una potencia de salida de 25 vatios.

Para activar el transmisor, oprima el botón "Press to talk" ("Oprimir para hablar") del micrófono. El indicador LED TX se encenderá, indicando que se está transmitiendo una señal. Para recibir, suelte el botón. Cuando esté transmitiendo, mantenga el micrófono a aproximadamente dos pulgadas de la boca y hable claramente en una voz normal. El micrófono incluido con la radio es del tipo dinámico de 500 ohmios.

*Nota: No se puede transmitir en los Canales Meteorológicos 0 al 9 ni en el Canal 15. El número de canal lucirá intermitentemente para indicar que estos canales son para recibir solamente.*

## Atenuación de la luz de fondo de la pantalla de cristal líquido y del indicador TX

Al encender el MC 1020, la LCD Panel y el **TX** están en su punto más brillante. Pulse los botones MEM y H/L para cambiar el brillo.

La última configuración se guarda en la memoria. La próxima vez que encienda la radio, la pantalla estará en dicha configuración.

Observe que el LED **TX** LED no se apaga con el botón DIM.

---

## **Accesorios opcionales**

---

- Soporte de montaje plano para empotrarlo en el tablero de mandos.

Comuníquese con su distribuidor Uniden Uniden para información al respecto.

# La radio marítima VHF

## Canales y funciones

(Canales de EE.UU)

DESIG DE CANAL	FRECUENCIA (MHz)		TIPO DE TRÁFICO	DE BARCO A BARCO	DEL BARCO LA ORILLA
	TX	RX			
WX0	—	163.275	NOAA Weather	RX Onlv	RX Onlv
WX1	—	162.550	NOAA Weather	RX Onlv	RX Onlv
WX2	—	162.400	NOAA Weather	RX Onlv	RX Onlv
WX3	—	162.475	NOAA Weather	RX Onlv	RX Onlv
WX4	—	162.425	NOAA Weather	RX Onlv	RX Onlv
WX5	—	162.450	NOAA Weather	RX Onlv	RX Onlv
WX6	—	162.500	NOAA Weather	RX Onlv	RX Onlv
WX7	—	162.525	NOAA Weather	RX Onlv	RX Onlv
WX8	—	161.650	Can. Weather	RX Onlv	RX Onlv
WX9	—	161.775	Can. Weather	RX Onlv	RX Onlv
01	156.050	156.050	VTS	Yes	Yes
02					
03	156.150	156.150	Port Obs	Yes	Yes
05	156.250	156.250	VTS	Yes	Yes
06	156.300	156.300	Safetv	Yes	No
07	156.350	156.350	Com'l	Yes	Yes
08	156.400	156.400	Com'l	Yes	No
09	156.450	156.450	Com'l & Non Com'l	Yes	Yes
10	156.500	156.500	Com'l	Yes	Yes
11	156.550	156.550	Com'l	Yes	Yes
12	156.600	156.600	Port Obs	Yes	Yes
13	156.650	156.650	Navigational. TX 1W onlv	Yes	Yes
14	156.700	156.700	Port Obs	Yes	Yes
15		156.750	Environmental	RX Onlv	RX Onlv
16	156.800	156.800	Safetv Calling	Yes	Yes
17	156.850	156.850	State Control	Yes	Yes
18	156.900	156.900	Com'l	Yes	Yes
19	156.950	156.950	Com'l	Yes	Yes.
20	157.000	161.600	Port Obs. RX Duplex	Yes	Yes
21	157.050	157.050	Coast Guard	Yes	Yes
22	157.100	157.100	Coast Guard	Yes	Yes
23	157.150	157.150	Coast Guard	Yes	Yes
24	157.200	161.800	Public Correso. Duplex	No	Yes
25	157.250	161.850	Public Correso. Duplex	No	Yes
26	157.300	161.900	Public Correso. Duplex	No	Yes
27	157.350	161.950	Public Correso. Duplex	No	Yes
28	157.400	162.000	Public Correso. Duplex	No	Yes
60					
61	156.075	156.075			
63	156.175	156.175			
64	156.225	156.225			
65	156.275	156.275	Port Obs	Yes	Yes
66	156.325	156.325	Port Obs	Yes	Yes
67	156.375	156.375	Com'l. TX 1W onlv	Yes	No
68	156.425	156.425	Non Com'l	Yes	Yes
69	156.475	156.475	Non Com'l	Yes	Yes
71	156.575	156.575	Non Com'l	Yes	Yes
72	156.625	156.625	Non Com'l	Yes	No
73	156.675	156.675	Port Obs	Yes	Yes
74	156.725	156.725	Port Obs	Yes	Yes
77	156.875	156.875	Port Obs	Yes	No
78	156.925	156.925	Non Com'l	Yes	Yes
79	156.975	156.975	Com'l	Yes	Yes
80	157.025	157.025	Com'l	Yes	Yes
81	157.075	157.075	Coast Guard	Yes	Yes
82	157.125	161.725	US Govt Onlv	Yes	Yes
83	157.175	157.175	Coast Guard	Yes	Yes
84	157.225	161.825	Public Correso. Duplex	No	Yes
85	157.275	161.875	Public Correso. Duplex	No	Yes
86	157.325	161.925	Public Correso. Duplex	No	Yes
87	157.375	161.975	Public Correso. Duplex	No	Yes
88	157.425	157.425	Com'l	Yes	No



# La radio marítima VHF

## Canales y funciones

### (Canales Internacionales)

DESIG DE CANAL	FRECUENCIA (MHz)		TIPO DE TRÁFICO	DE BARCO A BARCO	DEL BARCO LA ORILLA
	TX	RX			
WXO	—	163.275	NOAA Weather	RX Onlv	RX Onlv
WX1	—	162.550	NOAA Weather	RX Onlv	RX Onlv
WX2	—	162.400	NOAA Weather	RX Onlv	RX Onlv
WX3	—	162.475	NOAA Weather	RX Onlv	RX Onlv
WX4	—	162.425	NOAA Weather	RX Onlv	RX Onlv
WX5	—	162.450	NOAA Weather	RX Onlv	RX Onlv
WX6	—	162.500	NOAA Weather	RX Onlv	RX Onlv
WX7	—	162.525	NOAA Weather	RX Onlv	RX Onlv
WX8	—	161.650	Can. Weather	RX Onlv	RX Onlv
WX9	—	161.775	Can. Weather	RX Onlv	RX Onlv
01	156.050	160.650	VTS.Duplex	Yes	Yes
02	156.100	160.700	Port Ops.Duplex	Yes	Yes
03	156.150	160.750	Port Ops.Duplex	Yes	Yes
04	156.200	160.800	Port Ops.Duplex	Yes	Yes
05	156.250	160.850	VTS.Duplex	Yes	Yes
06	156.300	156.300	Safetv	Yes	No
07	156.350	160.950	Com'.Duplexl	Yes	Yes
08	156.400	156.400	Com'l	Yes	No
09	156.450	156.450	Com'l & Non Com'l	Yes	Yes
10	156.500	156.500	Com'l	Yes	Yes
11	156.550	156.550	Com'l	Yes	Yes
12	156.600	156.600	Port Ops	Yes	Yes
13	156.650	156.650	Navigational	Yes	Yes
14	156.700	156.700	Port Ops	Yes	Yes
15	156.750	156.750	Environmental	Yes	Yes
16	156.800	156.800	Safetv Callina	Yes	Yes
17	156.850	156.850	State Control	Yes	Yes
18	156.900	161.500	Com'l.Duplex	Yes	Yes
19	156.950	161.550	Com'l.Duplex	Yes	Yes
20	157.000	161.600	Port Ops.Duplex	Yes	Yes
21	157.050	161.650	Coast Guard.Duplex	Yes	Yes
22	157.100	161.700	Coast Guard.Duplex	Yes	Yes
23	157.150	161.750	Coast Guard.Duplex	Yes	Yes
24	157.200	161.800	Public Correso.Duplex	No	Yes
25	157.250	161.850	Public Correso.Duplex	No	Yes
26	157.300	161.900	Public Correso.Duplex	No	Yes
27	157.350	161.950	Public Correso.Duplex	No	Yes
28	157.400	162.000	Public Correso.Duplex	No	Yes
60	156.025	160.625	Duplex		
61	156.075	160.675	Duplex		
62	156.125	160.725	Duplex		
63	156.175	160.775	Duplex		
64	156.225	160.825	Duplex		
65	156.275	160.875	Port Ops.Duplex	Yes	Yes
66	156.325	160.925	Port Ops.Duplex	Yes	Yes
67	156.375	156.375	Com'l	Yes	No
68	156.425	156.425	Non Com'l	Yes	Yes
69	156.475	156.475	Non Com'l	Yes	Yes
71	156.575	156.575	Non Com'l	Yes	Yes
72	156.625	156.625	Non Com'l	Yes	No
73	156.675	156.675	Port Ops	Yes	Yes
74	156.725	156.725	Port Ops	Yes	Yes
77	156.875	156.875	Port Ops	Yes	No
78	156.925	161.525	Non Com'l.Duplex	Yes	Yes
79	156.975	161.575	Com'l.Duplex	Yes	Yes
80	157.025	161.625	Com'l.Duplex	Yes	Yes
81	157.075	161.675	Coast Guard.Duplex	Yes	Yes
82	157.125	161.725	US Govt Onlv.Duplex	Yes	Yes
83	157.175	161.775	Coast Guard.Duplex	Yes	Yes
84	157.225	161.825	Public Correso.Duplex	No	Yes
85	157.275	161.875	Public Correso.Duplex	No	Yes
86	157.325	161.925	Public Correso.Duplex	No	Yes
87	157.375	161.975	Public Correso.Duplex	No	Yes
88	157.425	162.025	Com'l.Duplex	Yes	No

# La radio marítima VHF

## Canales y funciones

(Canales de Canadá)

DESIG DE CANAL	FRECUENCIA (MHz)		TIPO DE TRÁFICO	DE BARCO A BARCO	DEL BARCO LA ORILLA
	TX	RX			
WX0	—	163.275	NOAA Weather	RX Only	RX Only
WX1	—	162.550	NOAA Weather	RX Only	RX Only
WX2	—	162.400	NOAA Weather	RX Only	RX Only
WX3	—	162.475	NOAA Weather	RX Only	RX Only
WX4	—	162.425	NOAA Weather	RX Only	RX Only
WX5	—	162.450	NOAA Weather	RX Only	RX Only
WX6	—	162.500	NOAA Weather	RX Only	RX Only
WX7	—	162.525	NOAA Weather	RX Only	RX Only
WX8	—	161.650	Can. Weather	RX Only	RX Only
WX9	—	161.775	Can. Weather	RX Only	RX Only
01	156.050	160.650	Duplex	Yes	Yes
02	156.100	160.700	Duplex	Yes	Yes
03	156.150	160.750	Duplex	Yes	Yes
04	156.200	156.200		Yes	Yes
05	156.250	156.250		Yes	Yes
06	156.300	156.300		Yes	No
07	156.350	156.350		Yes	Yes
08	156.400	156.400		Yes	No
09	156.450	156.450		Yes	Yes
10	156.500	156.500		Yes	Yes
11	156.550	156.550		Yes	Yes
12	156.600	156.600		Yes	Yes
13	156.650	156.650	1W	Yes	Yes
14	156.700	156.700		Yes	Yes
15	156.750	156.750	1W	Yes	Yes
16	156.800	156.800		Yes	Yes
17	156.850	156.850	1W	Yes	Yes
18	156.900	161.500		Yes	Yes
19	156.950	161.550		Yes	Yes
20	157.000	161.900	Duplex. 1W	Yes	Yes
21	157.050	157.050		Yes	Yes
22	157.100	157.100		Yes	Yes
23	157.150	161.750	Duplex	Yes	Yes
24	157.200	161.800	Duplex	No	Yes
25	157.250	161.850	Duplex	No	Yes
26	157.300	161.900	Duplex	No	Yes
27	157.350	161.950	Duplex	No	Yes
28	157.400	162.000	Duplex	No	Yes
60	156.025	160.625	Duplex		
61	156.075	156.075			
62	156.125	156.125			
63	156.175	156.175			
64	156.225	160.825	Duplex		
65	156.275	156.275		Yes	Yes
66	156.325	156.325		Yes	Yes
67	156.375	156.375		Yes	No
68	156.425	156.425		Yes	Yes
69	156.475	156.475		Yes	Yes
71	156.575	156.575		Yes	Yes
72	156.625	156.625		Yes	No
73	156.675	156.675		Yes	Yes
74	156.725	156.725		Yes	Yes
77	156.875	156.875		Yes	No
78	156.925	156.925		Yes	Yes
79	156.975	156.975		Yes	Yes
80	157.025	157.025		Yes	Yes
81	157.075	157.075		Yes	Yes
82	157.125	157.125		Yes	Yes
83	157.175	157.175		Yes	Yes
84	157.225	161.825	Duplex	No	Yes
85	157.275	161.875	Duplex	No	Yes
86	157.325	161.925	Duplex	No	Yes
87	157.375	161.975	Duplex	No	Yes
88	157.425	162.025	Duplex	Yes	No

---

# Especificaciones

---

## Generales

Canales	: Transmisión 54 Recepción 77 marítimos /10 meteorológicos
Controles	: Encendido-apagado/volumen, silenciador
Indicadores de estado	: LED TX (transmisión), SCAN, TRI, U, I, C, HI, LO, MEM, WX, y WX símbolo de alerta meteorológica en la pantalla de LCD
Pantalla de canales	: LCD (Doble)
Conmutador selector	: Selector de canales
Botones	: WX, 16/9, MEM, H/L, y STEP
Conectores	: Antena, altavoz remoto, y potencia CC
Tamaño	: 2 1/5"pulg. de alto x 6 2/5"pulg. de ancho x 8"pulg. de largo
Peso	: 2.4 lbs
Voltaje de entrada	: 13.8V CC conexión a tierra negativa
Accesorios estándar	: Soporte de montaje y materiales, cable de CC, gancho para micrófono, fusible de repuesto
Impedancia de antena	: 50Ω nominal
Micrófono	: Elemento de micrófono condensador resistente de 1kΩ con cable flexible
Altavoz	: 1.82 pulgadas, 8Ω
Escala de temperatura de operación	: - 20°C a +50°C (- 4°F a +122°F)
Golpe y vibración	: Cumple o excede los estándares de la EIA, RS152B y RS204C
Aprobaciones de la FCC	: Tipo aceptado bajo la parte 80 de las Normativas; cumple el Acuerdo de los Grandes Lagos y los requisitos de barcos de fiesta

## Transmisor

Potencia de salida	: 1 vatio o 25 vatios (seleccionable)
Requisito de potencia	: No clasificada en LO (Baja); salida de 25 vatios: 4.5A 13.8V CC
Modulación	: FM desviación de ±5 kHz (indicador F3E de la FCC)
Proporción de zumbido y ruido	: 42 dB@300 HZ, 3kHz (nominal)
Distorsión de sonido	: Menos del 3% con desviación de 3kHz con frecuencia de modulación de 1000Hz (nominal)
Supresión de espurio	: - 56 dB @ 1 vatio, - 65 dB @ 25 vatios
Estabilización de potencia de salida	: Control de nivel automático incorporado(ALC)
Alcance de la frecuencia	: 156 a 158 MHz
Estabilidad de la frecuencia:	: ±1.58 kHz @ - 20°C a +50°C

## Receptor

Alcance de la frecuencia	: 156 a 163 MHz
Sensibilidad	: 0.25μV para 12 dB SINAD 0.35μV para 20 dB S/N
Circuito	: Conversión doble Super Heterodyne PLL
Sensibilidad de silenciador	: Umbral 0.5μv
Respuesta a espurio	: 60 dB
Selectividad de canales adyacentes	: 60 dB @ ±25 kHz
Potencia de salida del sonido	: 3.0 vatios (distorsión del 10%)
Requisito de potencia	: 230 mA @ 13.8V CC silenciado 0.7A @ 13.8V CC en salida máxima de sonido
Frecuencias IF	: Primera - 16.9 MHz Segunda - 455 kHz

---

## Cuidado y mantenimiento

---

El MC 1020 es un dispositivo electrónico de precisión y debe tratarse como es debido. Gracias a un diseño robusto, se necesita muy poco mantenimiento. No obstante, se deben seguir algunas precauciones:

- Si la radio ha estado expuesta accidentalmente a salpicaduras o rociaduras, debe limpiarse inmediatamente con un paño suave humedecido con agua dulce.
- Si la antena se ha dañado, no se debe transmitir salvo en caso de emergencia. Una antena defectuosa puede causar daños a la radio.
- Usted es responsable de que su radio se mantenga en cumplimiento con los requisitos técnicos de la FCC.
- Se le recomienda que lleve el aparato a revisión periódicamente a su distribuidor de dispositivos marítimos de Uniden .

---

## Tres Años de Garantía Limitada

---

**GARANTIZADOR:** UNIDEN AMERICA CORPORATION (Uniden)

**ELEMENTOS DE LA GARANTIA:** Uniden garantiza, por tres años, al consumidor original, que este Producto de Uniden (al que de aquí en adelante nos referiremos como el Producto) no tiene defectos de materiales o fabricación con las únicas limitaciones o exclusiones que se describen a continuación.

**DURACION DE LA GARANTIA:** Esta garantía al consumidor original terminará y no tendrá efecto después de 36 meses después de la fecha de venta al menudeo original. La garantía es inválida si el Producto es (A) dañado o no se mantiene como es necesario o razonable, (B) modificado, alterado o usado como parte de un juego de conversión, subensamblajes o cualquier otra configuración no vendida por Uniden, (C) indebidamente instalado, (D) reparado por alguien que no sea un centro de servicio autorizado por un defecto o mal funcionamiento cubierto por esta garantía, (E) usado en conjunción con equipo o piezas o como parte de un sistema no fabricado por Uniden, o (F) instalado, programado o reparado por alguien que no sea un centro de servicio autorizado de Uniden.

**DECLARACION DE RECURSO:** En caso de que el Producto no satisfaga lo que aquí se garantiza en cualquier momento mientras que la garantía esté en efecto, el garantizador reparará el defecto y le devolverá el Producto a usted sin cargo alguno por las piezas, servicio o cualquier otro costo (excepto por transporte y manejo) en que incurra el garantizador o sus representantes en conexión con el cumplimiento de esta garantía. LA GARANTIA LIMITADA QUE AQUI SE ESTABLECE ES LA UNICA Y EXCLUSIVA GARANTIA PERTENECIENTE AL PRODUCTO Y REEMPLAZA Y EXCLUYE TODA OTRA GARANTIA DE CUALQUIER CLASE QUE SEA, YA SEA EXPRESA, IMPLICITA O BASADA EN LA LEY, INCLUYENDO PERO SIN LIMITARSE A TODA GARANTIA IMPLICITA DE COMERCIALIZACION O IDONEIDAD PARA UN FIN PARTICULAR. ESTA GARANTIA NO CUBRE O PROPORCIONA REEMBOLSO O PAGO POR DAÑOS INCIDENTALES O EMERGENTES. Algunos estados no permiten esta exclusión o limitación de daños incidentales o emergentes de modo que la anterior limitación o exclusión puede que no sea aplicable a usted.

**RECURSOS LEGALES:** Esta garantía le da derechos legales específicos, y usted puede tener otros derechos que varían de estado a estado. Esta garantía es inválida fuera de los Estados Unidos de América.

**PROCEDIMIENTO PARA OBTENER EL CUMPLIMIENTO DE LA GARANTIA:** Si, después de seguir las instrucciones que se dan en esta Guía del usuario, no está seguro de si el Producto es defectuoso, empaquete el Producto cuidadosamente (preferiblemente en el empaquetamiento original). Incluya evidencia de la compra original y una nota describiendo el defecto por el que devuelve el Producto. El Producto deberá ser enviado o entregado, a portes pagados al garantizador a:

**Uniden America Corporation  
Parts and Service Division  
4700 Amon Carter Blvd.  
Ft. Worth, TX 76155**

**(800)586-0409, de 8 AM a 5 PM tiempo del Central, de Lunes a Viernes**

**uniden®**

© 1997, Uniden America Corporation.  
Todos los derechos reservados.

Imprentado en Philippines